



产品描述

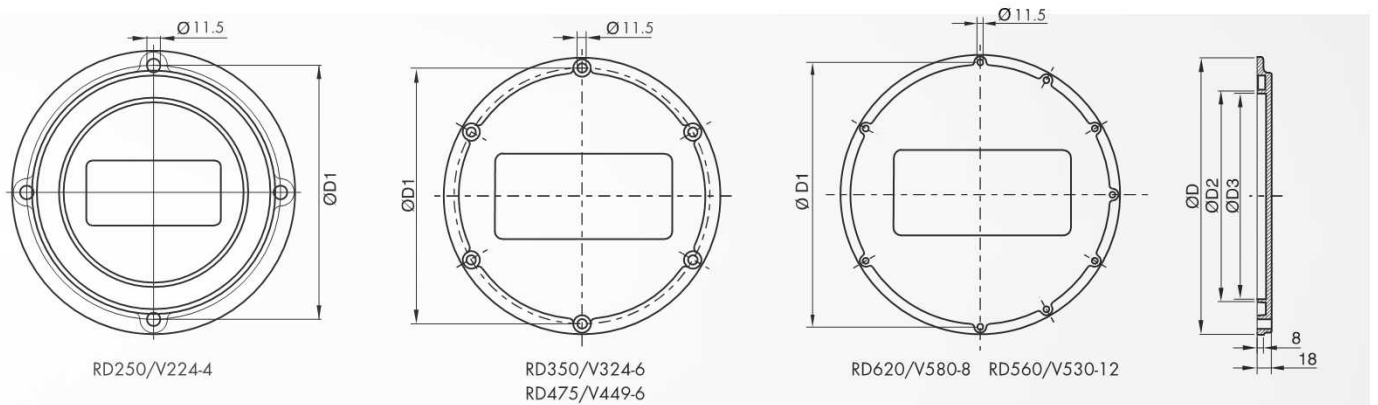
- 清洗盖□□和□□符合□□□□□准
- 材□：□合金
- 所有清洗盖安装螺□最大扭□力矩□牛米
- 可以定制公司□志
- 最大可承□□□□

PRODUCT DESCRIPTION

- Cleaning covers V324 and V449 according to DIN24339
- Made from aluminium
- Screw tightening torque for all cleaning cover sizes 10Nm at the maximum
- On request available with logo
- Max. permissible pressure = 0.5bar

法兰安装

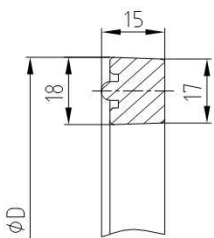
FLANGE ASSEMBLING



产品型号 SIZE	尺寸标注 / DIMENSIONS mm					螺□孔数量 Number of bores
	D	D1	D2	D3		
RD250/V224-4	250	224	167	159		4
RD350/V324-6	350	324	267	261		6
RD475/V449-6	475	449	392	386		6
RD560/V530-12	560	530	470	460		12
RD620/V580-8*	620	580	520	512		8

清洗盖配套密封圈

GASKET FORCLEANING COVERS



产品型号 SIZE	产品型号 FORCLEANING COVERS	D(mm)
PRD168NBR	RD250/V224-4	204
PRD268NBR	RD350/V324-6	304
PRD393NBR	RD475/V449-6	429
PRD471NBR	RD560/V530-12	507
PRD525NBR	RD620/V580-8*	561