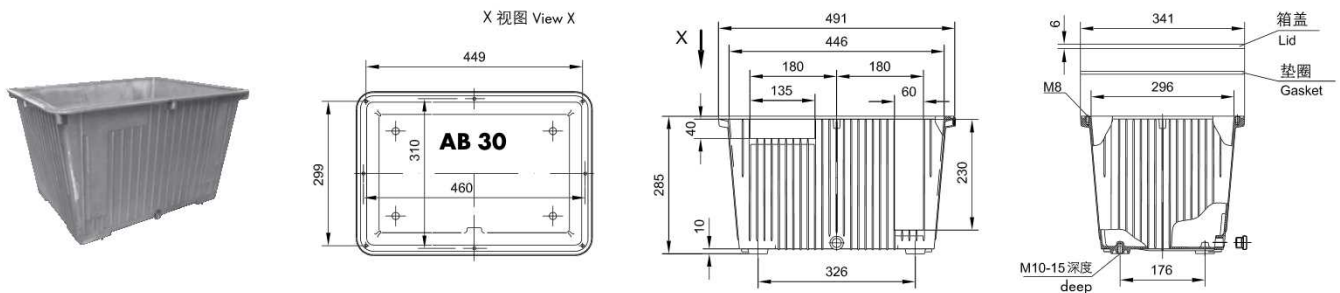


铝油箱 AB 30

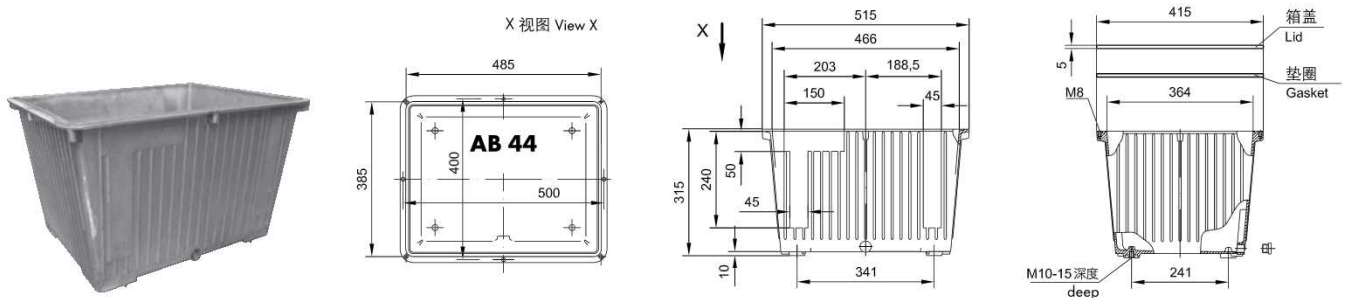
ALUMINIUM OIL TANKS AB 30



标准配件 Standard Accessories	说明	DESCRIPTION
AB 30	油箱 有效容积 27 L, 可叠起堆放	Tank Effective capacity approx. 27 L · stackable
AL 30	铝制油箱盖, 可加工好安装孔, 也可以不加工, 不上漆,	Aluminium lid machined for mounting on the tank, otherwise unmachined, unprimed or completely machined acc.
AS G 1/2"	放油塞	Drain plug

铝油箱 AB 44

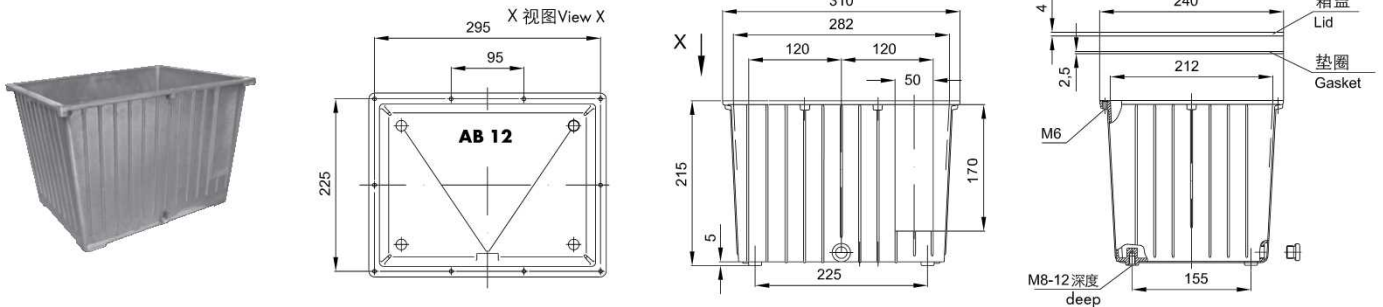
ALUMINIUM OIL TANKS AB 44



标准配件 Standard Accessories	说明	DESCRIPTION
AB 44	油箱 有效容积 40 L, 可叠起堆放	Tank Effective capacity approx. 40 L · stackable
AL 44	铝制油箱盖, 可加工好安装孔, 也可以不加工, 不上漆,	Aluminium lid machined for mounting on the tank, otherwise unmachined, unprimed or completely machined acc.
AS G 1/2"	放油塞	Drain plug

铝油箱 AB 12

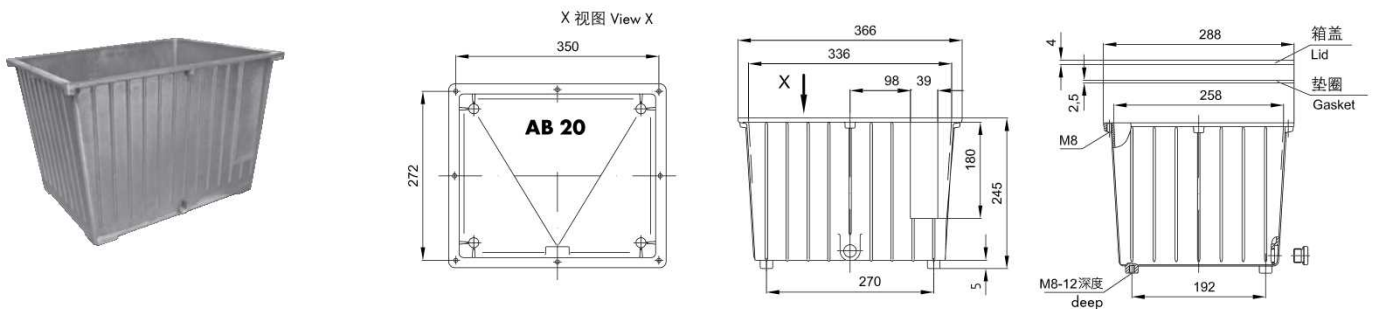
ALUMINIUM OIL TANKS AB 12



标准配件 Standard Accessories	说明	DESCRIPTION
AB 12	油箱 有效容积 11.5 L, 可叠起堆放	Tank Effective capacity approx. 11.5 L · stackable
AL 12	铝制油箱盖, 可加工好安装孔, 也可以不加工, 不上漆,	Aluminium lid machined for mounting on the tank, otherwise unmachined, unprimed or completely machined acc.
AS G 1/2"	放油塞	Drain plug

铝油箱 AB 20

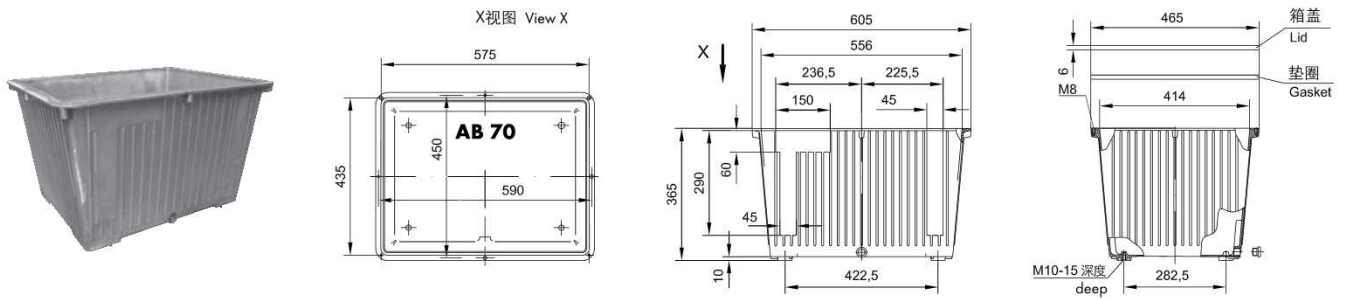
ALUMINIUM OIL TANKS AB 20



标准配件 Standard Accessories	说明	DESCRIPTION
AB 20	油箱 有效容积 17 L, 可叠起堆放	Tank Effective capacity approx. 17 L · stackable
AL 20	铝制油箱盖, 可加工好安装孔, 也可以不加工, 不上漆,	Aluminium lid machined for mounting on the tank, otherwise unmachined, unprimed or completely machined acc.
AS G 1/2"	放油塞	Drain plug

铝油箱 **AB 70**

ALUMINIUM OIL TANKS **AB 70**



标准配件 Standard Accessories	说明	DESCRIPTION
AB 70	油箱 有效容积 63 L, 可叠起堆放	Tank Effective capacity approx. 63 L · stackable
AL 70	铝制油箱盖, 可加工好安装孔, 也可以不加工, 不上漆,	Aluminium lid machined for mounting on the tank, otherwise unmachined, unprimed or completely machined acc.
AS G 1/2"	放油塞	Drain plug