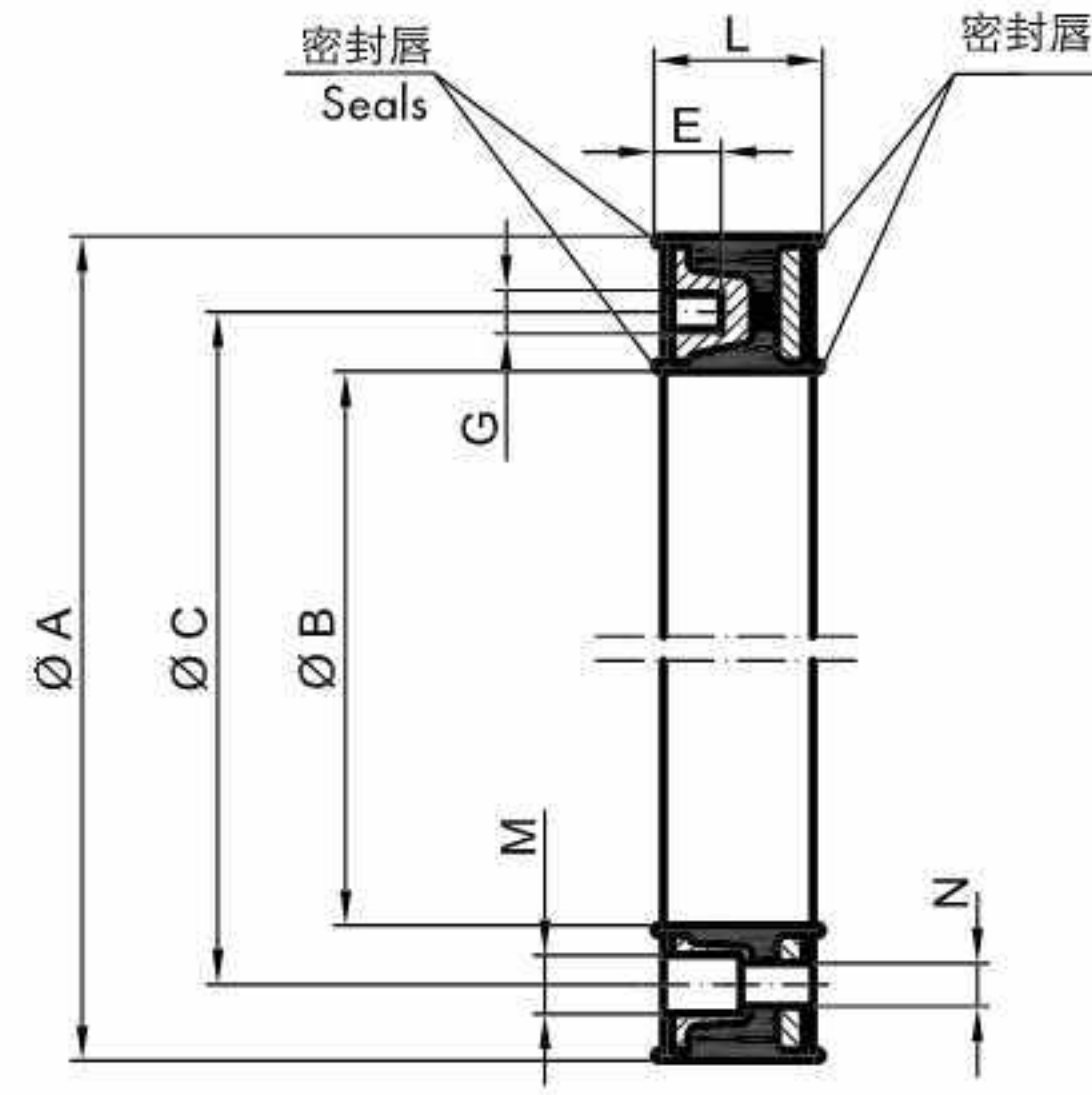
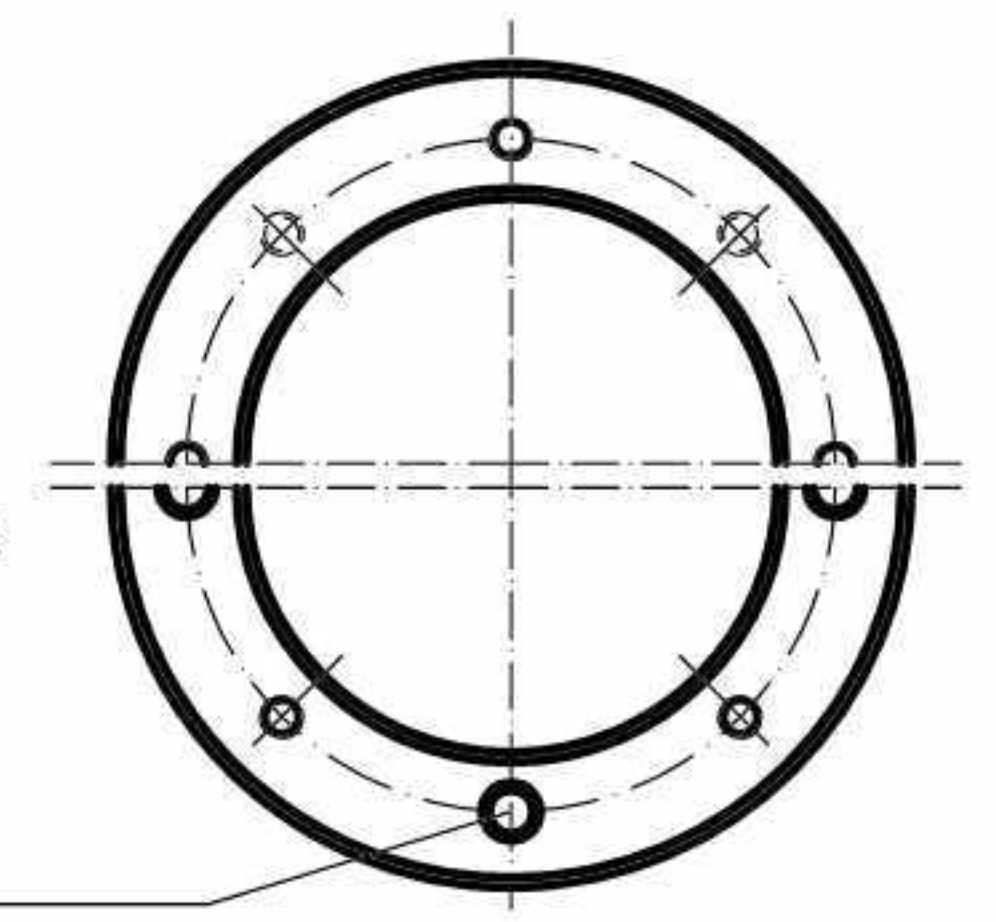


# 减振环 DAMPING RINGS



型号 DT...  
Size



型号 DT.../2  
Size

4 个通孔

4 trough boring

用于立式安装

Just for vertical assembly

## 产品描述

- 应用在钟罩和油箱之间, 垂直安装或水平安装  
减振环由两个铝质环中间夹硬化丁苯橡胶构成, 且表面涂有一层橡胶
- 适用: 矿物油最高 80°C
- 降低噪音: 约 3-5 dB (A)
- 密封圈已铸造成一体, 不需外加密封

## PRODUCT DESCRIPTION

- For application between bellhousing and tank vertically or horizontally.  
Damping rings consist of two vulcanised Perbunan coated combined aluminium rings
- Application: Mineral oil up to max. + 80° C
- Noise reduction: approx 3-5 dB (A)
- Sealing lips moulded-on, no additional sealing necessary

IEC电机型号 IEC MOTOR SIZE	产品型号 SIZE	尺寸标注 / DIMENSIONS mm							
		A	B	C	G	E	L	M	N
71	DT 160	160	111	130	M8	16	35	-	-
80/90	DT 200	200	146	165	M10	20	40	-	-
100/112	DT 250	250	191	215	M12	20	45	-	-
132	DT 300	300	235	265	M12	20	50	-	-
160/180	DT 350	350	261	300	M16	24	60	-	-
200	DT400	400	308	350	M16	24	70	-	-
225S/225M	DT450	450	352	400	M16	32	80	26	18
250M/280S/280M	DT 550	550	452	500	M16	32	68	26	18
315S/315M	DT 660	660	552	600	M20	32	68	26	22
71	DT160/2	160	111	130	M8	16	35	14,5	9
80/90	DT 200/2	200	146	165	M10	20	40	16,5	11
100/112	DT 250/2	250	191	215	M12	26	45	18,5	14
132	DT 300/2	300	235	265	M12	26	50	18,5	14
160/180	DT350/2	350	261	300	M16	24	60	24,5	18
200	DT 400/2	400	308	350	M16	24	70	24,5	18
225S/225M	DT 450/2	450	352	400	M16	32	80	26	18
250M/280S/280M	DT550/2	550	452	500	M16	32	68	26	18
315S/315M	DT 660/2	660	552	600	M20	32	68	26	22