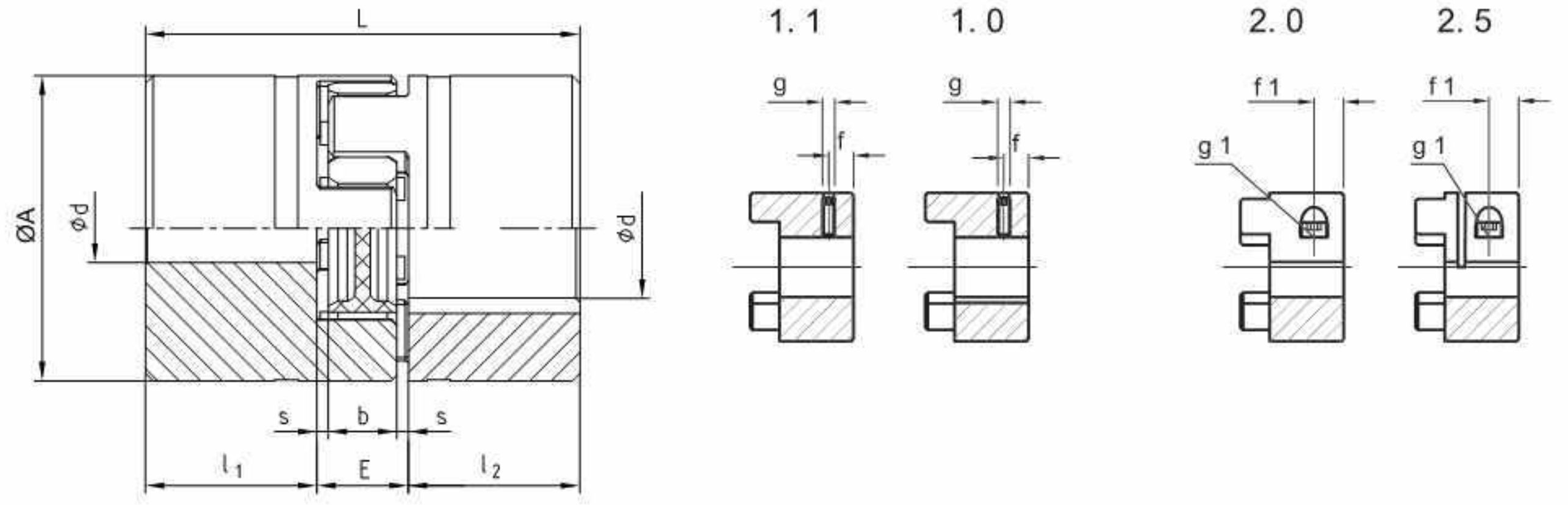


RES 无齿隙弹性联轴器 RES ZERO BACKLASH COUPLINGS



产品描述

- 预应力下无齿隙的连接
- 材质: 铝质轴套
- 三个简易的万向爪
- 轴向可插拔 – 安装简易, 不耗时间
- 尺寸小, 转动惯量小
- 传动具有柔性, 免维护
- 便于目测检查
- 有多种硬度的弹性体
- 可配所有常用孔径
- 成品孔径公差按照 ISO 标准为 H7 (夹紧轴套 F7), 孔径 Ø 6 以上键槽宽公差按照标准 DIN 6885 P.1 为 JS9

PRODUCT DESCRIPTION

- Under initial tension no backlash shaft connection
- Material: Hubs made of aluminium
- Triple simple cardanic coupling
- Axially pluggable – simple blind mounting, no time-consuming screwings
- Small structural dimensions – low flywheel effects
- Torsionally flexible, maintenance-free
- Simple optical test
- Different elastomer hardness of the gear rings
- Available for all usual shaft dimensions
- Finish bores acc. to ISO limit and fit H7 (clamp hub F7) keyway from Ø 6 acc. to DIN 6885 P.1-JS9

RES 联轴器型号 SIZE	未加工孔径 UNBORED	成品孔径范围* FINISH BORES*				尺寸标注 DIMENSIONS [mm]										拧紧螺钉 CLAMPING SCREW	
		轴套类型 HUB TYPE				A	L	L ₁ L ₂	E	b	s	(1,0) (1,1) g	f	(2,0) (2,5) g ₁	f ₁	T _A [Nm]	
		d _{min}	1,0 d _{max}	1,1 d _{max}	2,0/2,5 d _{max}												
材质: 铝 MAT. - ALUMINIUM																	
9	x	4	9	11	11	20	30	10	10	8	1,0	M4	5	M2,5	5,0	0,76	
14	x	4	15	16	16	30	35	11	13	10	1,5	M4	5	M3	5,0		
19/24	x	6	24	24	20	40	66	25	16	12	2,0	M5	10	M6	12,0	10,5	
24/30	x	10	30	30	28	55	78	30	18	14	2,0	M5	10	M6	10,5	10,5	
28/38	x	10	38	38	38	65	90	35	20	15	2,5	M8	15	M8	11,5	25,0	
38/45	x	15	45	45	45	80	114	45	24	18	3,0	M8	15	M8	15,5	25,0	

* 特殊孔形可垂询 * Special bores on request

夹紧式轴套 (2.0/2.5) 各孔径 Ø D 所对应可传递的扭力大小 (NM) BORE RANGE Ø d CORRESPONDING TRANSFERABLE TORQUES (NM) OF THE CLAMPING HUB (2.0/2.5)

RES	8	9	10	11	14	15	16	19	20	24	25	28	30	32	35	38	40	42	45
9	2,5	2,6	2,7	2,8															
14	5,1	5,3	5,5	5,6	8,1	6,3	6,5												
19/24	25	26	27	27	29	30	31	32	34										
24/30			34	35	36	38	39	19	41	43	45	46							
28/38					80	81	81	85	87	91	92	97	99	102	105	109			
38/45						92	94	98	99	104	105	109	112	113	118	122	123	126	130

型号为 1.0 和 1.1 的轴套, 成品孔径公差为 H7; 型号为 2.0 和 2.5 的轴套, 成品孔径公差为 F7; 键槽宽公差按照标准 DIN 6885/1, 为 JS 9

Finish bores hub types 1.0 and 1.1 limit and fit H7, types 2.0 and 2.5 limit and fit F7 Keyway acc. to DIN 6885, Page 1, Tol. JS 9