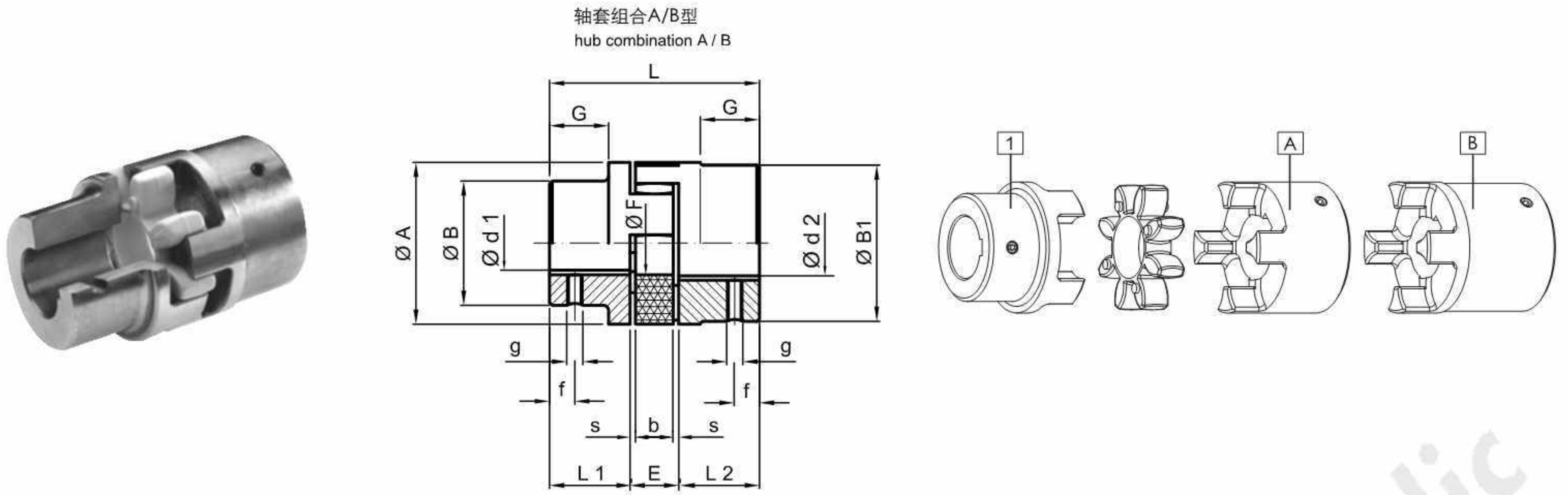


# RE 标准联轴器 (弹性联轴器) RE STANDARD COUPLINGS (ELASTIC COUPLINGS)



## 产品描述

- 扭向弹性, 免维护
- 吸收振动
- 轴向可插拔
- 全面加工-良好的动态性能
- 设计紧凑/惯性小

## PRODUCT DESCRIPTION

- Torsionally flexible, maintenance-free
- Vibration reducing
- Axially pluggable
- Machined all over - good dynamic properties
- Compact design/ low flywheel effects

材质: **ST = 钢**  
MATERIAL: **ST = STEEL**

联轴器型号 SIZE	轴套/HUB A		轴套/HUB B		尺寸标注/DIMENSIONS (mm)												
	成品孔径范围 <sup>1)</sup> FINISH BORE d1		成品孔径范围 <sup>1)</sup> FINISH BORE d2		A	B	B <sub>1</sub>	L	L <sub>1</sub> /L <sub>2</sub>	E	s	b	G	F	g	f	
	min	max	min	max													
RE 14	-	-	4	16	30	-	30	35	11	13	1,5	10	-	8	M4	5	
RE 19	-	-	6	24	40	-	40	66	25/37	16	2	12	-	18	M5	10	
RE 24	-	-	8	32	55	-	55	78	30/50	18	2	14	-	27	M5	10	
RE 28	-	-	10	38	65	-	65	90	35/60	20	2,5	15	-	30	M6	15	
RE 38	14	38	40	45	80	66	78	114	45/70	24	3	18	37	38	M8	15	
RE 42	16	42	45	55	95	75	93	126	50/75	26	3	20	40	46	M8	20	
RE 48	19	48	50	60	105	85	103	140	56/80	28	3,5	21	45	51	M8	20	
RE 55	22	55	60	70	120	98	118	160	65/90	30	4	22	52	60	M10	20	
RE 65	25	65	70	75	135	115	133	185	75/100	35	4,5	26	61	68	M10	20	
RE 75	30	75	80	90	160	135	158	210	85/110	40	5	30	69	80	M10	25	
RE 90	-	-	45	100	200	-	160	245	100/125	45	5,5	34	81	100	M10	25	
RE 100	-	-	45	110	225	-	180	270	110/135	50	6	38	89	113	M12	30	
RE 110	-	-	60	125	255	-	200	295	120/145	55	6,5	42	96	127	M16	35	
RE 125	-	-	60	145	290	-	230	340	140/165	60	7	46	112	147	M16	40	

1) 成品孔径公差按照ISO标准为 H7, 键槽宽公差按照标准 DIN 6885/1 为 JS9

1) Finish bores acc. to ISO- standard H 7, keyway acc. to DIN 6885, sheet 1- JS9

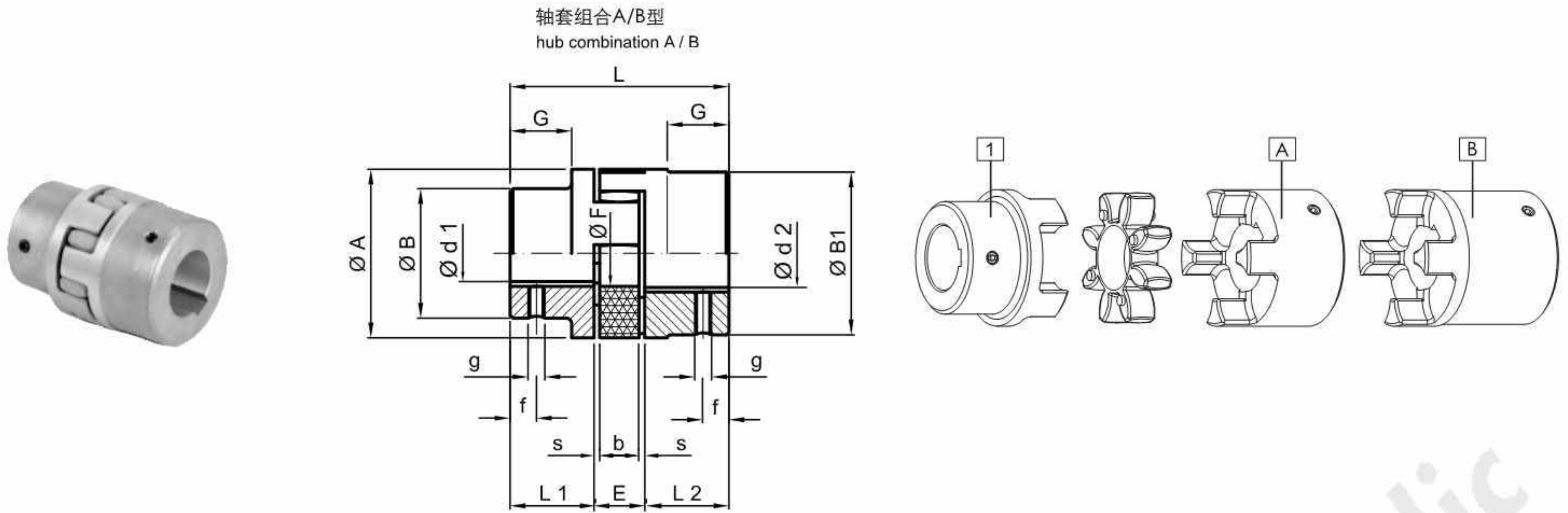
## 订货描述示例: 联轴器

## ORDERING CODE: COUPLING



bailichi 任何时候都保留对技术参数进行修改的权利  
bailichi reserves the right to modify technical data at any time.

# RE 标准联轴器 (弹性联轴器) RE STANDARD COUPLINGS (ELASTIC COUPLINGS)



## 产品描述

- 扭向弹性, 免维护
- 吸收振动
- 轴向可插拔
- 全面加工-良好的动态性能
- 设计紧凑/惯性小

## PRODUCT DESCRIPTION

- Torsionally flexible, maintenance-free
- Vibration reducing
- Axially pluggable
- Machined all over - good dynamic properties
- Compact design/ low flywheel effects

材质: 铝质  
MATERIAL: ALUMINIUM

联轴器型号 SIZE	轴套/HUB A		轴套/HUB B		尺寸标注/DIMENSIONS (mm)												
	成品孔径范围 <sup>1)</sup> FINISH BORE d1		成品孔径范围 <sup>1)</sup> FINISH BORE d2		A	B	B <sub>1</sub>	L	L <sub>1</sub> /L <sub>2</sub>	E	s	b	G	F	g	f	
	min	max	min	max													
RE 14	-	-	4	16	30	-	30	35	11	13	1,5	10	-	8	M4	5	
RE 19	-	-	6	24	40	-	40	66	25/37	16	2	12	-	18	M5	10	
RE 24	-	-	8	32	55	-	55	78	30/50	18	2	14	-	27	M5	10	
RE 28	-	-	10	38	65	-	65	90	35/60	20	2,5	15	-	30	M6	15	
RE 38	14	38	40	45	80	66	78	114	45/70	24	3	18	37	38	M8	15	

1) 成品孔径公差按照ISO标准为 H 7, 键槽宽公差按照标准 DIN 6885/1 为 JS9

1) Finish bores acc. to ISO- standard H 7, keyway acc. to DIN 6885, sheet 1- JS9

## 订货描述示例: 联轴器

## ORDERING CODE: COUPLING

